

# TVI-D1/D2 Series ON/OFF TYPE DAMPER ACTUATOR

## DESCRIPTION

TVI-D1/D2 series on/off type damper actuator uses bi-directional motor to control the damper. There are four basic models with 10, 15, 20 and 30Nm torque. Standard operating voltages are 24Vac and 230Vac. Other voltages are also available as options.



## CHARACTERISTICS

### ● HIGHLY DEPENDABLE PERFORMANCE

TVI-D1/D2 series on/off type damper actuator uses bi-directional magnetic clutch synchronous motor. It has overload protection function, and doesn't need limiter switch. The actuator will stop automatically, because the motor is clutched when it is operating to the end. 1~2 auxiliary switches can be selected for optional.

### ● SIMPLE AND CONVENIENT FUNCTION TESTING

It is also convenient to test the function of damper operation: press the manual button on the actuator, the gears inside the actuator will break away. The damper can be operated manually when keep pressing the manual button. PLEASE DON'T OPERATE WHEN POWER ON!

### ● SIMPLE INSTALLATION

Fix the damper actuator on the damper shaft by universal holder. (Various special actuator holding bracket can be supplied according to customers' requirements.)

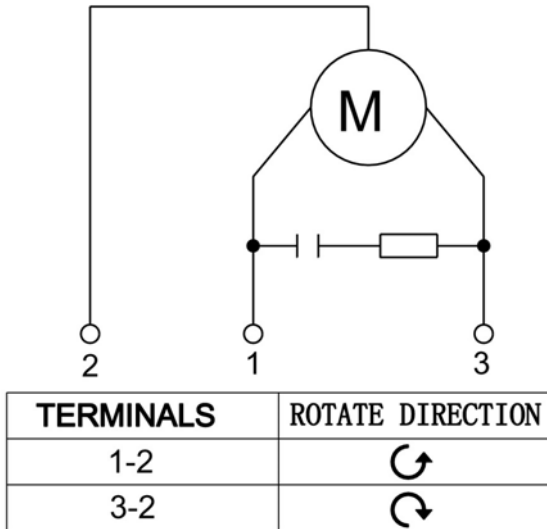
### \* OPTIONAL PART

- Auxiliary Switch – refer to list price

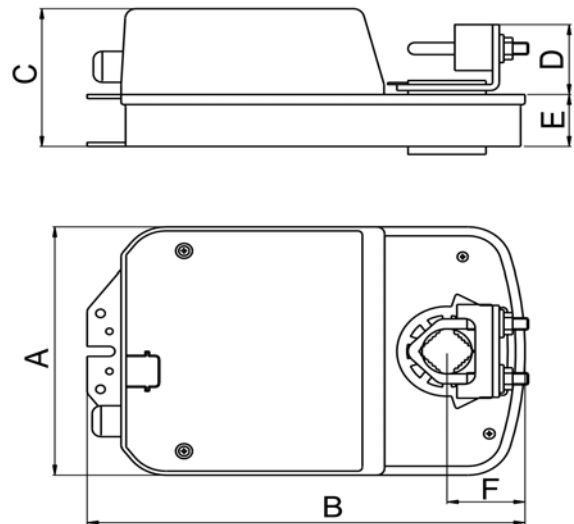
## SPECIFICATIONS AND TECHNICAL DATA

MODEL	TVI-D1-10	TVI-D2-10	TVI-D1-15	TVI-D2-15	TVI-D1-20	TVI-D2-20	TVI-D1-30	TVI-D2-30
*RATED VOLTAGE (50/60Hz)	24VAC ±10%	230VAC± 10%	24VAC ±10%	230VAC ±10%	24VAC ±10%	230VAC ±10%	24VAC ±10%	230VAC ±10%
OPERATION TIME	66s		90s		110s		143s	
TORQUE	≥10Nm		≥15Nm		≥20Nm		≥30Nm	
NET WEIGHT	1.3 kg				1.67 kg			
LEAD SPECIFICATION	0.5~1.5mm <sup>2</sup>							
POWER CONSUMPTION	5.5VA when operating							
ROTATE ANGLE	Mechanical limitation at 95°							
NOISE LEVEL	Maximum 45dB(A)							
PROTECTION CLASS	IP 42							
AMBIENT TEMPERATURE	-30 ~ +50°C							
USAGE LIFE	>60000 times							

**WIRING DIAGRAM**



**DIMENSIONS**



Note: Damper shaft dimension:  $\varnothing 10\sim 20$   
 $\square 10\sim 16$

MODEL	DIMENSIONS (mm)					
	A	B	C	D	E	F
TVI-D1-10	108	174	70	39	26	31
TVI-D2-10	108	174	70	39	26	31
TVI-D1-15	108	174	70	39	26	31
TVI-D2-15	108	174	70	39	26	31
TVI-D1-20	124	196	69	39	26	35
TVI-D2-20	124	196	69	39	26	35
TVI-D1-30	124	196	69	39	26	35
TVI-D2-30	124	196	69	39	26	35

**INSTALLATION DIAGRAM**

