

Valve actuator

For 2.5...5.5mm stroke seat valves



M5/A5 ...

Application

Operation of seat valves series VA2T5 / VA3T5 in heating- cooling and air conditioning plants.

Design features

- Nominal stroke range 2.5...5.5mm.
- 3-position or 0...10V d.c. control signal.
- The stroke is adapted automatically to the valve and is over-load-proof.
- Direct assembly with union nut to the neck of the valve (no tools required).
- Manual operation by using a standard 5mm hexagonal key.
- The actuator is short-circuit-proof and protected against polarity reversal.
- Plug-in cable for supply voltage and control signal.

Types and operating data

Types	Function	Operating voltage	Accessories
A5-403	3-position	86...264V a.c.	Plug-in cable
A5-400	3-position	24V a.c. ±20%	Plug-in cable
M5-400	0...10V d.c.	24V a.c. ±20%	Plug-in cable

Accessories

EAS34 1.4m plug-in cable for replacement

Ordering information


When ordering, please give quantity, designation and type code.

Example: 1pc, 3-position valve actuator, 24V, A5-400

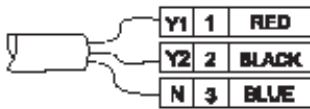
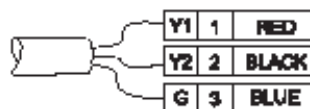
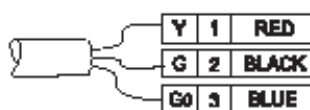
Technical data

Operating voltage	See "Types and operating data"
Frequency	50/60Hz
Power consumption	6 watt
Control signal (M5-400)	0...10V d.c., 1mA
Actuating force	400N
Manual operation	5.5mm Hexagonal key
Running time	Approx. 121s(22s per mm)
Cable length	140cm
Protection degree	IP30
Permissible ambient condition	
- Operation	0°C...50°C
- Storage	-10°C...80°C
- Humidity	To EN 60730-1
Weight	360g

Approval

 Conformity to - EMC directive - Low voltage directive	89/336/EEC, 93/68/EEC 73/23/EEC
---	------------------------------------

Connection diagram

A5-403		Control voltage, spindle extending Control voltage, spindle retracting Neutral
A5-400		Control voltage, spindle extending (24V a.c.) Control voltage, spindle retracting (24V a.c.) Neutral
M5-400		Control signal 0...10V d.c. System phase (24V a.c.) System neutral

Dimensions

