



FUNCTION

Occupancy sensor: detection of movement made by bodies giving off heat (a man for example) all round the room (360°) with a range of about 10 m.

Light sensor: calculating room brightness.

Applications

The sensors can be used in the rooms of domestic and commercial areas.

Warnings

The occupancy and light sensors cannot be used for important applications for purposes of safety.

Tipo Type	Alimentazione Power supply	Uscita Output	Sensore presenza Occupancy sensor	Sensore luce Light sensor
TVI - DB-BW 360	24 Vac/dc	0...10 Vdc	●	
TVI - DB-LS 500	24 Vac/dc	0...10 Vdc		●
TVI - DB-BW/LS	24 Vac/dc	0...10 Vdc	●	●

TECHNICAL FEATURES

Power supply: 24 Vac/dc, approx. 10 mA current assumption

Output:
occupancy 0...10 Vdc without/with movement in the room, duration of pulse setting 1sec....16 min

light 0...10 Vdc (dark...500 lux)

Sensor:
occupancy infrared ray presence sensor
light photovaristor

Working: temperature -10...+50 °C
 relative humidity 10...90 % r.h. (non condensing)

Storage: -20...+70 °C

Housing: wall mounted

Size: 75 x 75 x 25 mm

Protection: IP30

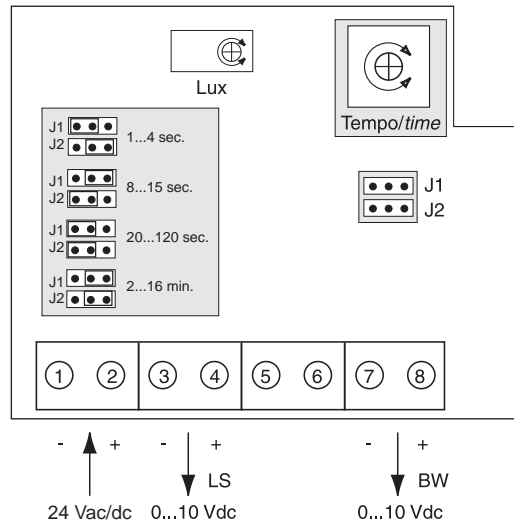
CE standards: EN 60335-1: safety

EN 60529: IP degree of protection

EN 60730: domestic controls

ELECTRICAL WIRINGS

The jumpers J1 and J2, only in the model DB-BW/LS/We, allow a setting of the pulse duration range. With the potentiometer Tempo/time it is possible to set the time inside the range selected. The figure shows the general case with both sensors.



DIMENSIONI D'INGOMBRO

OVERALL DIMENSIONS

