

TVI-IT/DT

IMMERSION AND DUCT THERMOSTATS



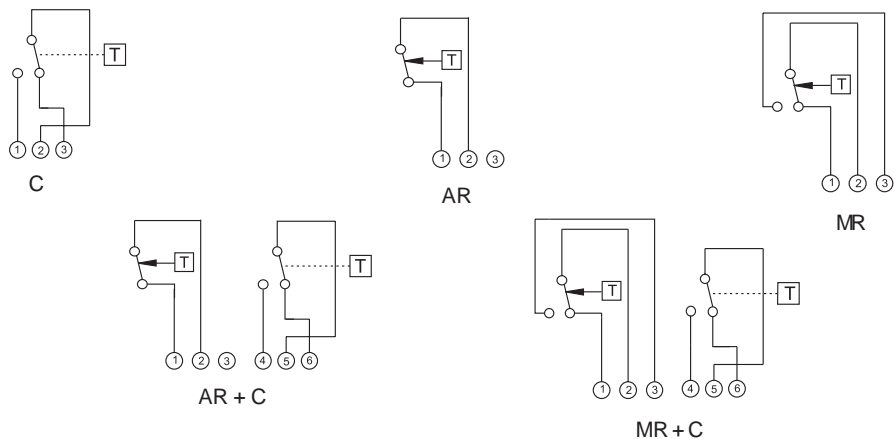
The series of immersion and duct thermostat have been designed for the temperature monitoring and security protection for non aggressive liquids (TVI-IT) and air ducts (TVI-DT).

At choice are available versions with only regulation, only security or regulation and security. The device will be supplied in a sealed ABS casing, IP54 according to EN 60529 (ex IEC 529), protection class I acc.to EN 60335-1 (ex IEC 335-1).

TECHNICAL FEATURES

- Bulb with standard 120 mm brass sleeve; on request in various lengths and in stainless steel (TVI-IT) or coupled with a 190 mm spring protection (TVI-DT).
- Dust-tight switch with SPDT contacts (heat/cool)
- Max. current: 10 (1,5) A, 250 Vac
5 (1) A, 400 Vac
- Working temperature: -10/+65°C
- Casing (figure 1): 108x70x72 mm

ELECTRICAL WIRING



SCHEDULE

1st range °C	2nd range °C	Type	Differential 1 °C	Differential 2 °C	Max bulb temp. °C	Function
0/+60		TVI-IT-060 TVI-DT-060	3		75	C
+30/+90		TVI-IT-3090 TVI-DT-3090	3		120	C
+50/+140		TVI-IT-50140 TVI-DT-50140	5		150	C
65 - 85		TVI-IT-R6585 TVI-DT-R6585	15 - 20		120	MR
90 - 110		TVI-IT-R90110 TVI-DT-R90110	15 - 20		120	MR
100		TVI-IT-R100 TVI-DT-R100	15 - 20		120	AR
+30/+90	90 - 110	TVI-IT-3090R110 TVI-DT-3090R110	3	15 - 20	120	C + MR
+30/+90	100	TVI-IT-3090R100 TVI-DT-3090R100	3	15 - 20	120	C + AR

- C = with SPDT contact
- MR = with manual security reset, SPDT contact
- AR = with automatic security reset, SPST contact

Instructions of the installation:

Any position is acceptable. For connection remove the external knob and unscrew both screws on the cover. For mounting on wall or other surfaces use the supplied screws.

Note:

The units with range +50/+120°C will be supplied with an

aluminium vernished base.

Warning:

Each operation on the unit, either installation or maintenance, must be done without main supply on the unit and external loads. Such operations are permitted only by skilled workers. We are not responsible for possible damage caused by an inadequate installation and/or by removed or exchanged security devices.

To guarantee sealed protection on the unit turn the cover screws and close the grommet.

